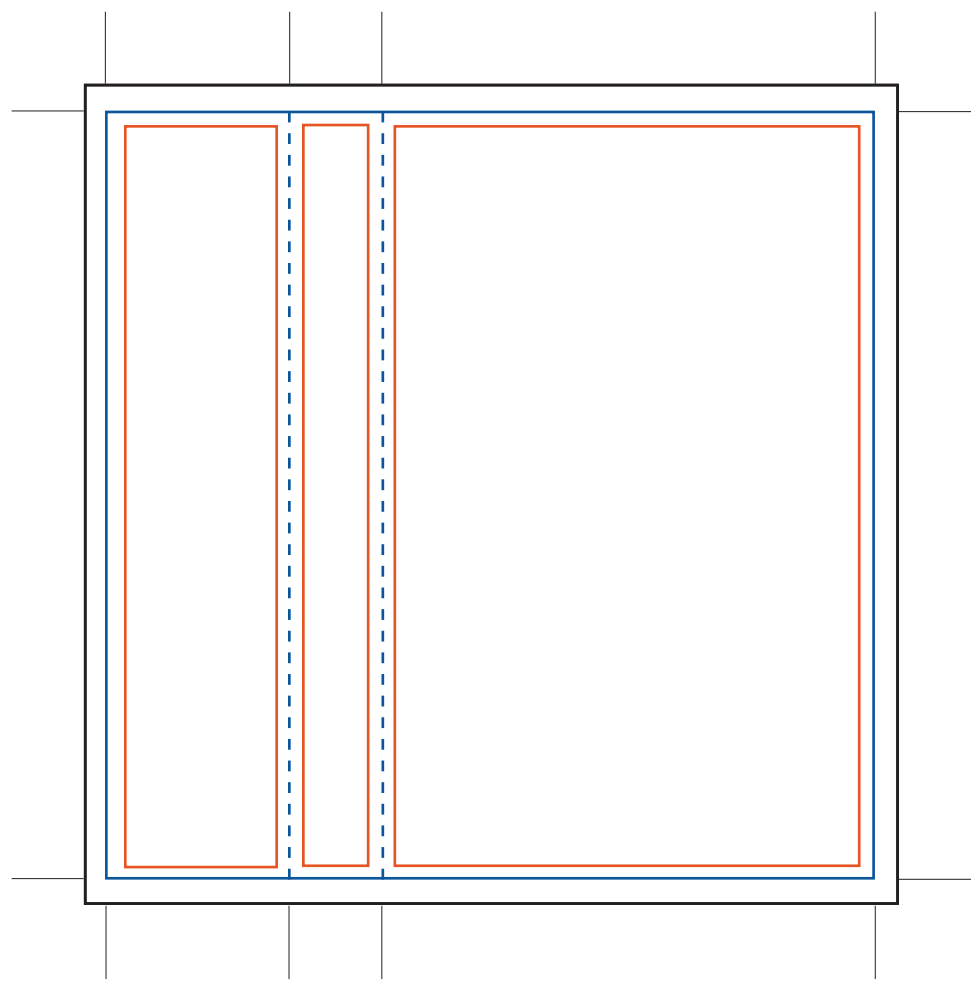
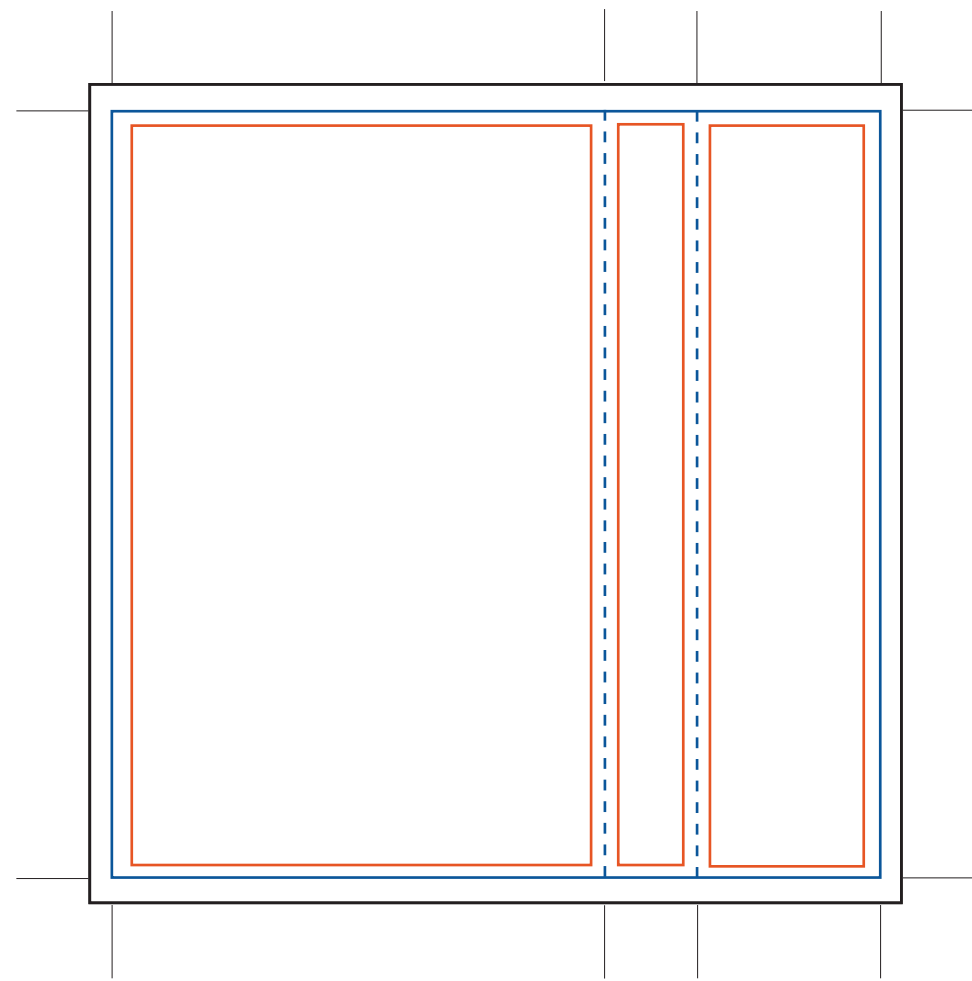


**LEGEND**  
BLEED \_\_\_\_\_  
TRIM \_\_\_\_\_  
SAFETY \_\_\_\_\_  
FOLD \_\_\_\_\_



FRONT COVER

**LEGEND**  
BLEED \_\_\_\_\_  
TRIM \_\_\_\_\_  
SAFETY \_\_\_\_\_  
FOLD \_\_\_\_\_



BACK COVER